



*Sabrina*  
Standard

---

okamura



# Sabrina

Standard

## General Specifications



- ◆ Ring structure
- ◆ Forth recline
- ◆ Multiple Density cushion
- ◆ Anti-Scratching fabric
- ◆ Innovative design

### Function

Seat height adjustment : 130mm  
 Lumbar support height adjustable up and down 60mm  
 Seat depth: 50mm back and forth  
 Seat reclining: 23° to backward and 10° to frontward  
 Arm (optional): 100mm up/down, 20° inward/outward, 40mm back/forth

### Certification

BIFMA G1/X5.1 EN 1335-1/2/3 ( to be certified )  
 GS standard ( to be certified ) , JIS standard

### Environment

100% recyclable  
 Produced with 31% recycled material  
 GREEN GUARD Indoor Air Quality certified  
 Developed and manufactured through ISO14001 managed operation  
 LEED Credit Summary available

### Materials

Backrest shell : Glass-reinforced polyamide  
 Body frame, Base : Aluminum die-cast  
 Arm pad : Polyurethane  
 Arm cover : Glass-reinforced polyamide  
 Mesh, Seat Fabric : Polyester  
 Seat Cushion : Polyurethane

### Designer

Giugiaro Design

## Style variation

### Body



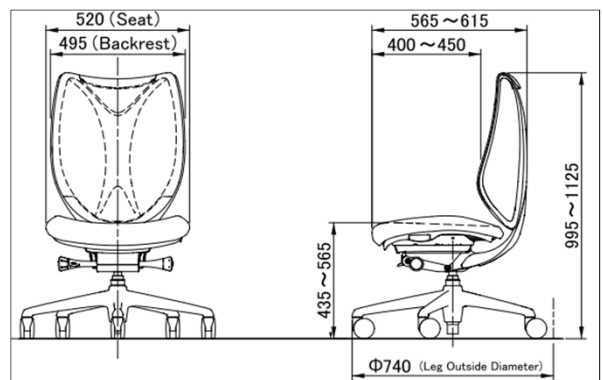
White

Black

### Headrest



### Lumbar



## Color variations (backrest/seat)

### Mesh

### Cushion



Black  
FSY1



White  
FSY2



Medium blue  
FSY3



Aqua blue  
FSY4



Lime green  
FSY5



Mango yellow  
FSY6



Beige  
FSY7

### Mesh

### Cushion



Dark brown  
FSY8



Red  
FSY9



Light gray  
FSZ3



Dark blue  
FSZ4



Dark green  
FSZ5



Blue green  
FSZ6



Orange  
FSZ8